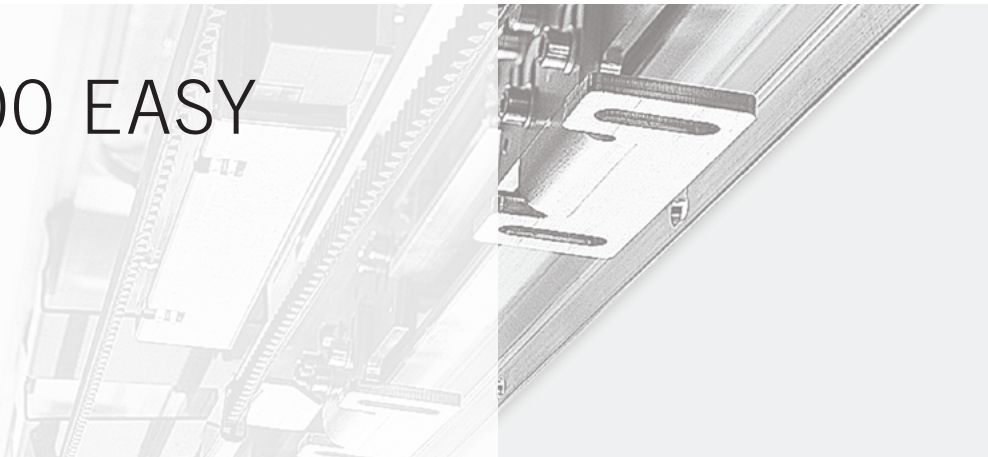


ES 200 EASY

—



Automatic sliding door operator

FLEXIBLE, SIMPLE AND MODULAR

The **ES 200 Easy** in the attractive DORMA design stands for simple automation of sliding door units in all areas of application.

It is the innovative drive system for door units up to 2 x 100 kg, is of modular construction with world-wide tried and trusted electronics and new mechanics comprising only a few components and can be used for both 100 and 150 mm height.

The prefabricated **MiniDriveUnit** is also impressive; it is tested

industrially with all the necessary electrical and electronic components.

The optimum solution for all customers who value simply assembly, low storage costs and ease of maintenance.

High quality, excellent cost-effectiveness

DORMA offers a particularly cost-effective sliding door operator in the tried and trusted DORMA quality with the new

ES 200 Easy. The basic version of the ES 200 sliding door operator is suitable for vastly differing applications and can be combined with all customary door profiles. It offers a number of adjustment possibilities, has excellent operation characteristics and is easy to maintain.

The self-learning microprocessor controller guarantees reliable operation, ensures dynamic and smooth movements and fulfils the highest safety requirements

according to all European and German standards.

The setting of all parameters is carried out quickly and easily via an integrated display with push-buttons. Operation is extremely simply and menu-assisted. Additional programming equipment is not required. DORMA supplies, as the optimum supplement, program switches and pulse senders as well as door profiles specially matched to the drive.

Features and advantages

- Modular, flexible system
- For door units up to 2 x 100 kg
- Problem-free adaptation to individual requirements
- Low number of system components
- Industrially prefabricated and tested MiniDriveUnit
- Easy assembly of drive systems
- Multi-functional control, commissioning without programming equipment
- Easy fixing and commissioning
- Can be combined with all customary door profiles
- Reliable function and high safety standards
- Smooth movement
- Complete program at program switches
- Numerous standard connections
- Reliable investment due to compliance with all relevant European standards

| Door parameters | ES 200 Easy |
|---|----------------|
| 1-panel sliding door – Transit width LW | 700 – 3000 mm |
| – Door panel weight, max. | 1 x 120 kg |
| 2-panel sliding door – Transit width LW | 800 – 3000 mm |
| – Door panel weight, max. | 2 x 100 kg |
| Clear passage height* | 2100 – 3200 mm |

*Other dimensions on request.

Technische gegevens

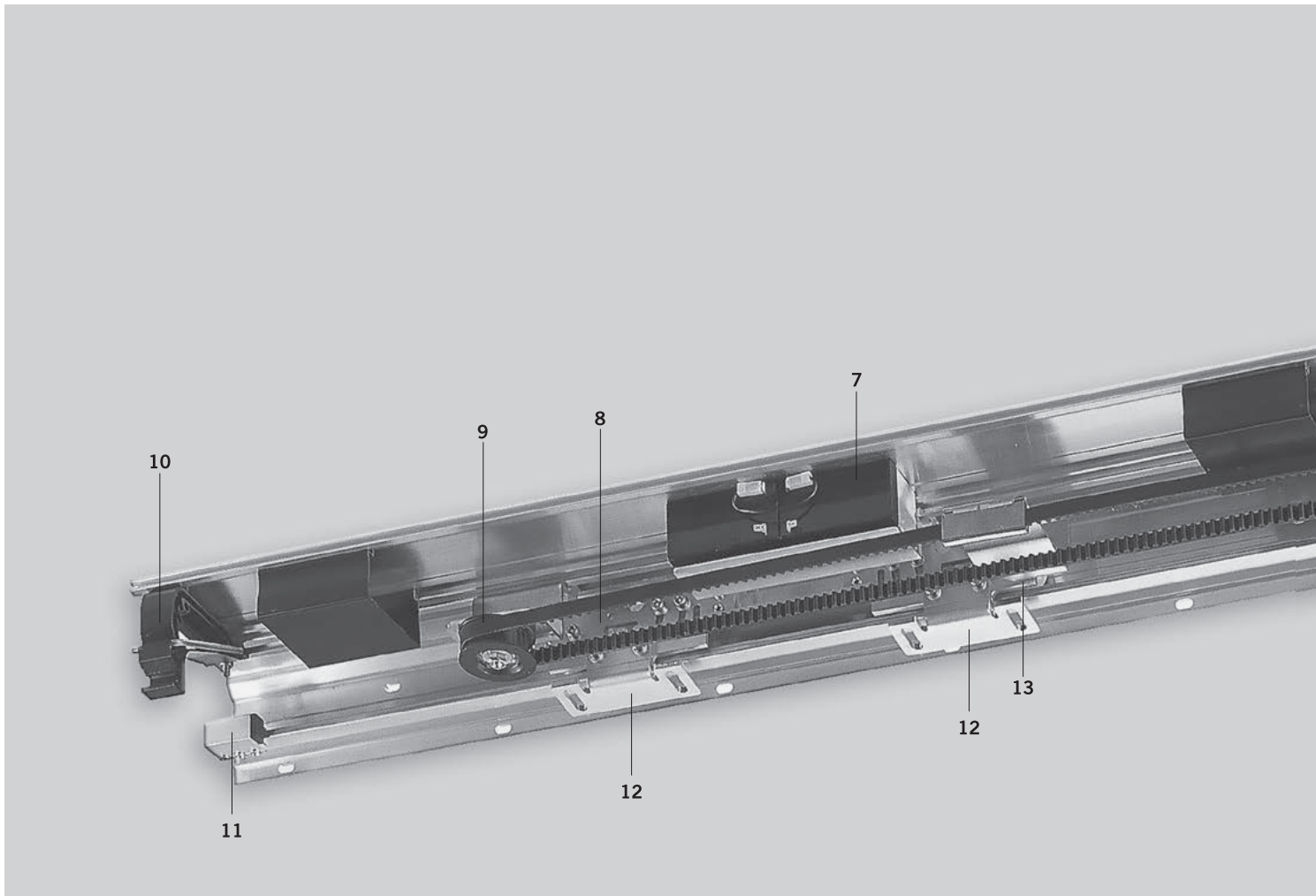
| | |
|--|-------------------------------|
| Height | 100 und 150 mm |
| Depth | 180 mm |
| Opening and closing force max. 150 N | ● |
| Opening speed (incremental setting) | 10 – 50 cm/s |
| Closing speed (incremental setting) | 10 – 40 cm/s |
| Hold-open time | 0,5 – 30 s |
| Mains voltage, frequency | 230 V, 50/60 Hz |
| Power consumption | 180 W |
| International protection | IP 20 |
| Admissible temperature | - 20 – + 60 °C |
| Admissible humidity (relative) | max. 93 % (non condensing) |
| Tested according to low-voltage guidelines | ● |
| Manufacture according to ISO 9001 | ● |

| Basic module (BM) | ES 200 Easy |
|---|-------------|
| Microprocessor controller | ● |
| Functional programs | |
| – Off | ● |
| – Automatic | ● |
| – Permanent open | ● |
| – Partial open | ● |
| – Exit only | ● |
| – Night-bank switch | ● |
| Emergency off | ● |
| Self-learning | ● |
| Automatic reversing | ● |
| Connection for bistable electro-mechanical locking | ● |
| Connection for light barriers (max. 2 pairs) | ● |
| Setting of basic parameters via integrated display and push-buttons | ● |
| Emergency opening or closing (with use of battery pack) | ● |
| 24 V output for external consumption | ● |
| Read-out error store with error codes | ● |

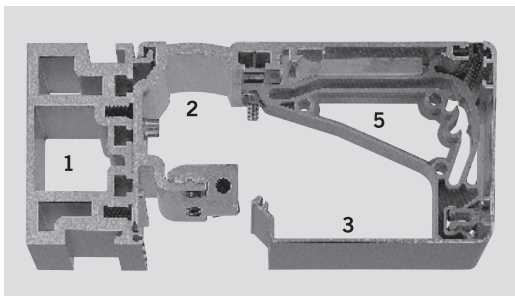
Additional equipment

| | |
|--|---|
| Electro-mechanical locking (bistable) | ○ |
| Manual unlocking for electro-mechanical locking | ○ |
| Light barriers | ○ |
| Battery pack (emergency opening, emergency closing) | ○ |
| Emergency power module USV | ○ |
| Module for coupling to EIB buildings control systems | ○ |

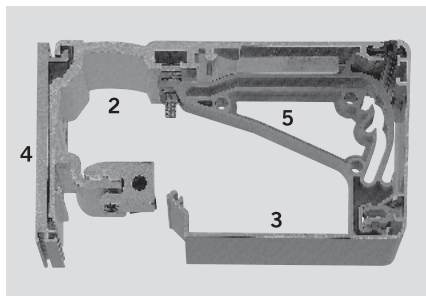
● standard ○ optional



Profiles for corridor installation, 100 mm

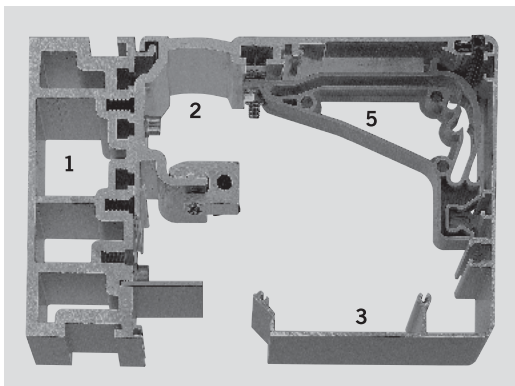


Profiles for wall fixing, 100 mm

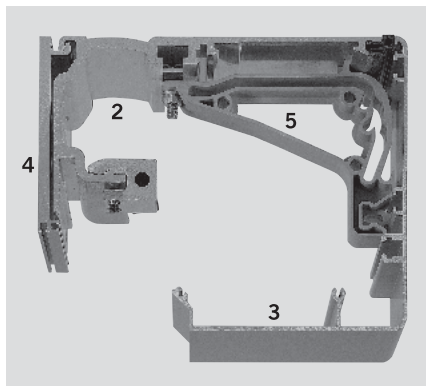


Profile for 100 mm and 150 mm height, for corridor or wall fixing guarantees adaptation for all possible applications. The mechanical basic system, with a low number of components, is the same for both heights.

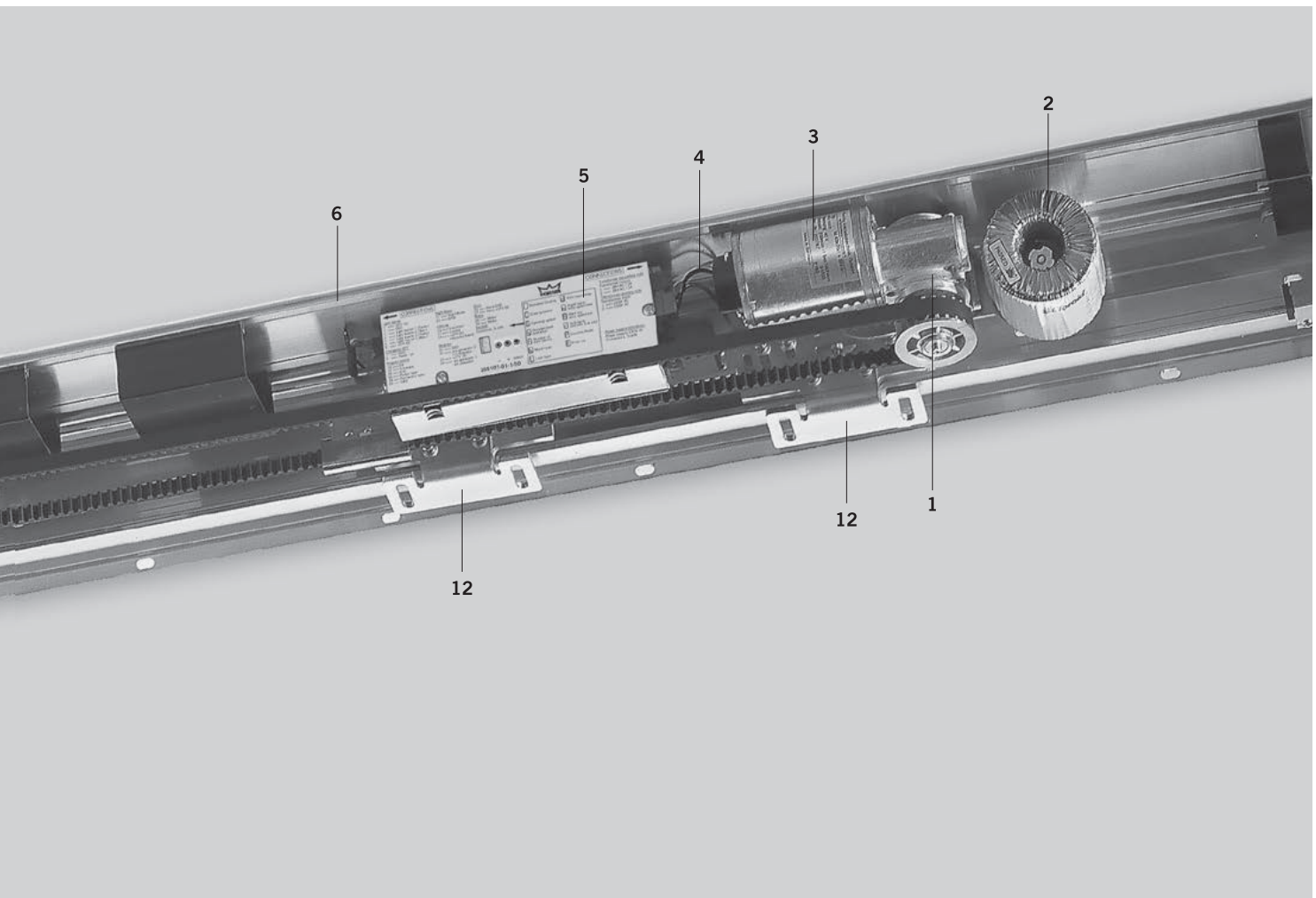
Profiles for corridor installation, 150 mm



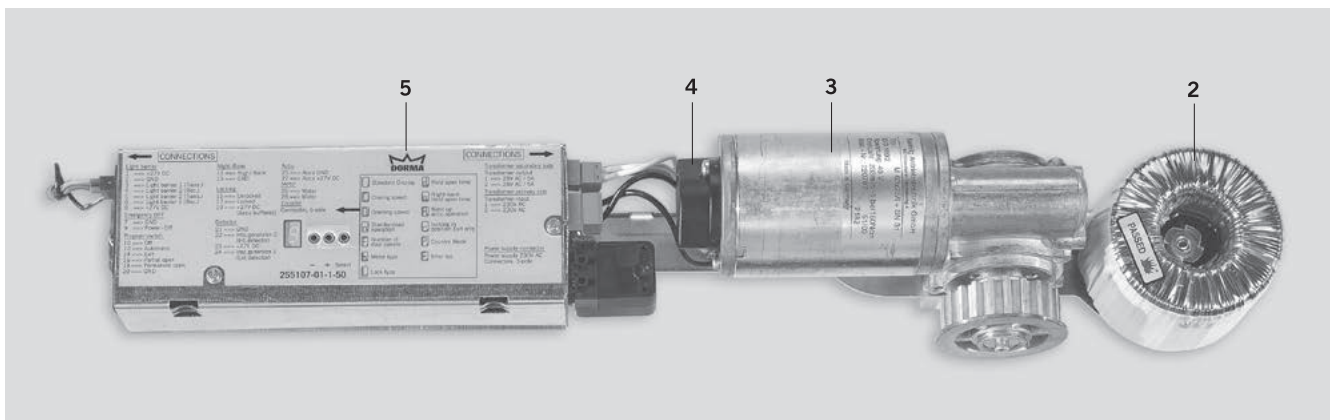
Profiles for wall fixing, 150 mm



- 1 LM rail
- 2 Basic drive profile
- 3 Interior cover in 100 or 150 mm height
- 4 Wall fixing profile
- 5 Service cover holder



MiniDriveUnit



The heart of the ES 200 Easy

The prefabricated **MiniDriveUnit** with all the electrical components necessary is industrially tested and facilitates the assembly and maintenance of drive units.

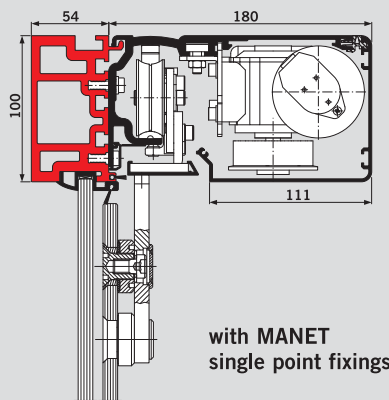
The control unit has proven its worth a thousand times in all imaginable fields of application throughout the world.

Components

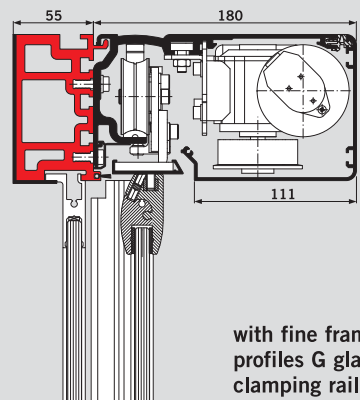
- 1 MiniDriveUnit
- 2 Transformer
- 3 Motor
- 4 Decoder
- 5 Control unit EC2
- 6 Run and installation profile
- 7 Battery pack (optional)
- 8 Carriage
- 9 Deflection roller
- 10 Service cover holder
- 11 End stopper
- 12 Door suspension with adjustment device
- 13 Belt connection

ES 200 Easy – the drive for individual door design

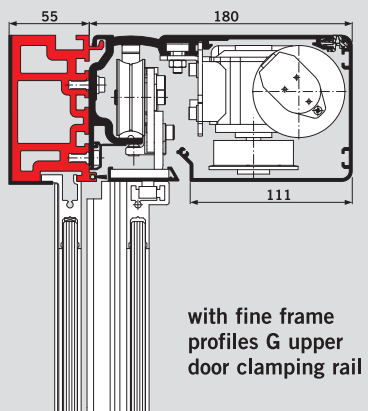
Door variants with ES 200 Easy, 100 mm height



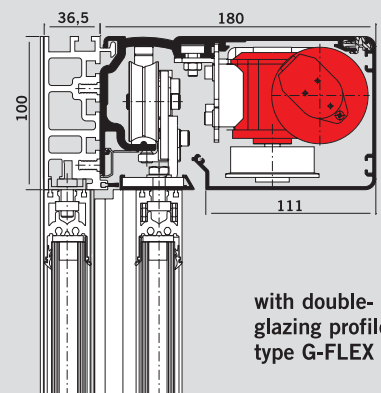
with MANET
single point fixings



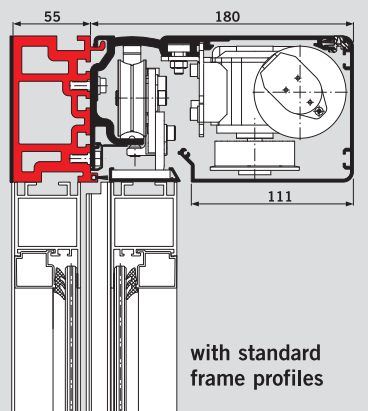
with fine frame
profiles G glass
clamping rail



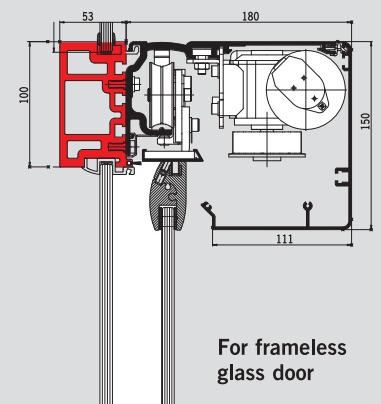
with fine frame
profiles G upper
door clamping rail



with double-
glazing profiles
type G-FLEX



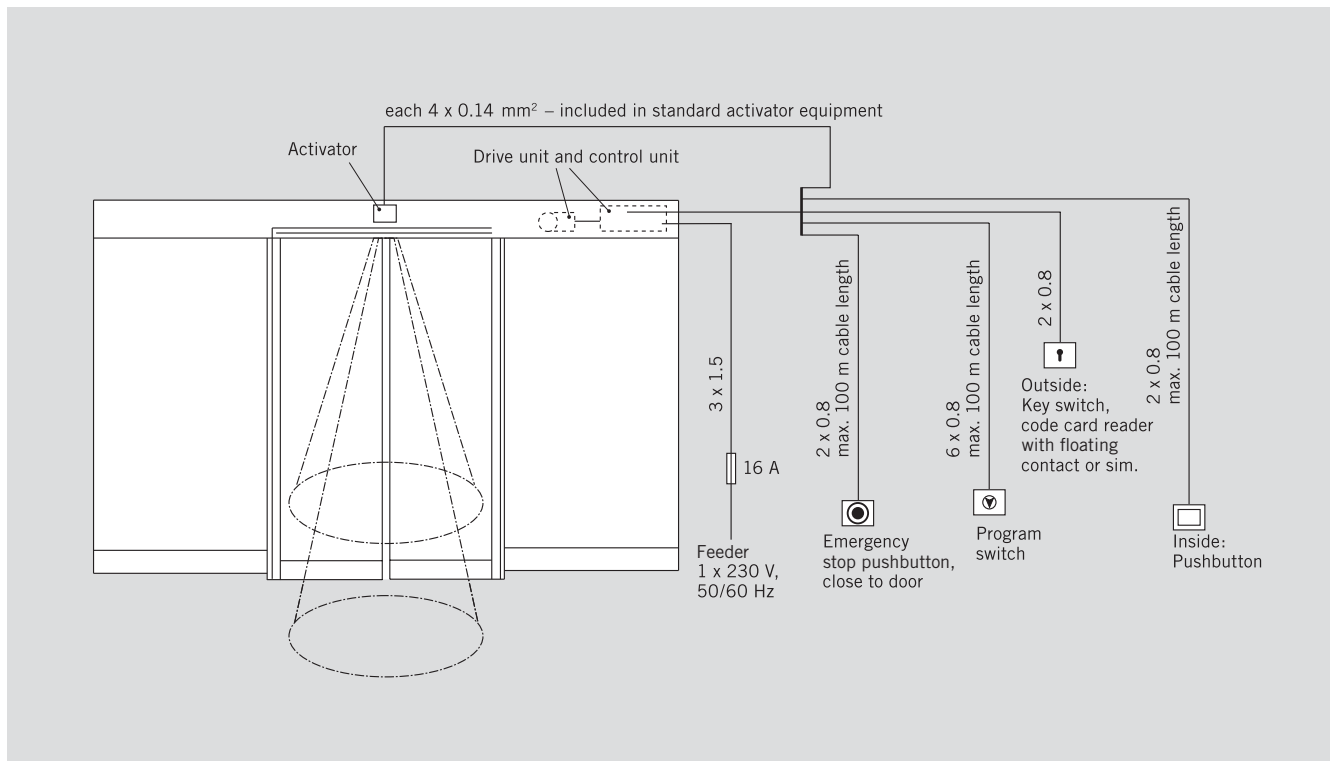
with standard
frame profiles



For frameless
glass door

The door variants on this page are shown as corridor installation with LM rail. (Optional)

CONNECTIONS






PROGRAM SWITCHES

A program switch from DORMA's broad range of accessories allows the automatic door system to meet individual requirements and provides easy handling.



The corresponding 3-position program switches are available in various designs and suitable for all kinds of applications.

They offer various options, from a mechanical to a full-electronic version, alternatively also lockable via profile half-cylinder or in a full-electronic way via code..


- Up to 5 different functions: Off, Automatic, Exit Only, Partial Open, Permanent Open
- Electronic program switches in System 55 design to meet the highest aesthetical demands





| For sliding door operators | Designation | Specification | Installation system | Order No. |
|---|--------------|--|---------------------|-------------|
|  | PG-S1 | 5-position, aluminium, white, flush-mounted version, 80 x 80 x 40 mm | Gira S-Color | 19135401150 |
|  | PG-S2 | 5-position, lockable, aluminium, white, flush-mounted version, 80 x 80 x 40 mm | Gira S-Color | 19135602150 |
|  | EPS-S | Full-electronic program switch in System 55 design, 5-position, lockable via code or additional TL-ST S55 key switch, membrane keypad aluminium-coloured, white, flush-mounted version, 80 x 80 mm | System 55 | 16556901150 |

SWITCHES



| | Designation | Specification | Installation system | Order No. |
|---|----------------------|--|---------------------|-------------|
|  | On/Off switch | White, aluminium, flush-mounting, 80 x 80 mm | Gira S-Color | 19135403150 |
|  | Radar switch | „MAGIC SWITCH“, proximity-type radar switch responds to movement, for flush-mounting, 80 x 80 mm | | 05076831332 |

PUSHBUTTON


| Palm pushbutton | Designation | Specification | Installation system | Order No. |
|--|-------------|---|---------------------|-------------|
|  | | Single-pole changeover contact, single-type frame, white, flush-mounted version | System 55 | 19144701170 |

| Key switches | Designation | Specification | Installation system | Order No. |
|---|--------------------|--|---------------------|-------------|
|  | KT 3-1 | 1 NO contact with profile half-cylinder, may be replaced for any profile half-cylinder of a master key system, key only retractable in neutral position, aluminium, metal, 75 x 75 x 60 mm | | |
| | KT 3-1 UP | flush-mounted version | | 05054531332 |
| | KT 3-1 AP | surface-mounted version | | 05054631332 |
|  | KT 8 | Lettering „Auf, Zu“ (German for „Open/Closed“), 2 NO contacts, with profile half-cylinder, may be replaced for any profile half-cylinder of a master key system, key only retractable in neutral position, aluminium, metal, 75 x 75 x 60 mm | | |
| | KT 8 UP | flush-mounted version | | 05054831332 |
| | KT 8 AP | surface-mounted version | | 05054931332 |
|  | TL-ST S55 | Switch with single-pole changeover contact, for profile half-cylinder by others to DIN 18252, locking cam centre 30 – 32.5 mm, overall length 40.5 – 43,5 mm, locking cam position left (90°), incl. cover for System 55, not suitable for box for surface-mounting, not including profile half-cylinder, not including frame | | |
| | TL-ST S55 W | White | System 55 | 56330710 |
| | TL-ST S55 S | Silver-coloured | System 55 | 56330701 |
| | TL-ST S55 A | Anthracite | System 55 | 56330715 |
|  | KT 3-2 | 1 NO contact with profile half-cylinder, may be replaced for any profile half-cylinder of a master key system, key only retractable in neutral position, exchange cover, „Ein/Aus“ lettering (German for „On/Off“), aluminium, flush-mounted version: 125 x 100 mm, surface-mounted version: 70 x 90 mm | | 05054731332 |



EMERGENCY PUSHBUTTONS

| | Designation | Specification | Installation system | Order No. |
|--|----------------------------|--|---------------------|-------------|
|  | NAT | Designed to interrupt the automatic movement of the door, emergency pushbutton (function: Emergency Off) for automatic door operators, manufactured to ZH 1/494 or BGR 232, DIN 18650 and EN 16005, red knob with yellow centre insert, max. load current: 10 A at 230 V AC | | |
| | NAT 1 | NO contact: 1, NC contact: 1, white frame, flush-mounted version, 80 x 80 mm | System 55 | 90400025 |
| | NAT 2 no picture | Function "Emergency Opening" with green knob, NO contact: 1, NC contact: 1, max. load current: 10 A at 230 V AC, white frame, flush-mounted version, 80 x 80 mm | System 55 | 90400035 |
| | NAT 4 | NO contact: 1, NC contact: 1, surface-mounted version, 68 x 68 mm | | 05027031332 |
|  | TL-N S55 | Highly-illuminated emergency pushbutton environment with visual locking status indication, optical and acoustic alarm via yellow flashlight and integrated alarm siren, sabotage-proof, behind glass, not including frame NO contact: 1, NC contact: 1, max. load current: 1 A at 24 V DC, flush-mounted version, 80 x 80 mm | System 55 | 56330500 |

LIGHT BARRIERS

| | Designation | Specification | Order No. |
|---|--------------------------------|--|-----------|
|  | Prosecure light barrier | Designed to safeguard the passage area of automatic sliding doors via presence detection of moving people and objects (not compliant with DIN 18650 and EN 16005) Counter light barrier comprising transmitter and receiver | 86210500 |

ACTIVE INFRARED DETECTORS

| Safety sensors / Combi sensors | Designation | Specification | Colour | Order No. |
|---|-------------------------------|---|-----------------------------------|----------------------------------|
|  | Prosecure Opti Scan | The active infrared curtain according EN 16005 ensures optimum protection of the area at the side of the door. It protects people in the danger area of the opening door panel. | black silver coloured white | 86301100 86302100 86303100 |
| | Prosecure Opti Scan 1 | The active infrared curtain according DIN 18650 and EN 16005 ensures optimum protection of the area at the side of the door. It protects people in the danger area of the opening door panel. | black silver coloured white | 86301101 86302101 86303101 |
| | Prosecure Opti Combi | Quick and easy to install, wide field can be used as a light barrier substitute, LCD Display, Precise positioning of the AIR curtain thanks to inclination angle display on a clear scale, direction recognition (DIN 18650 and EN 16005) | black silver coloured white | 86711400 86712400 86713400 |
|  | Prosecure Opti Combi 1 | Very flexible field settings, active infrared curtain is self-monitoring, crossing traffic optimization, precise positioning of the AIR curtain thanks to inclination angle display on a clear scale, direction recognition. (DIN 18650 and EN 16005) | black silver coloured white | 86711401 86712401 86713401 |

MOTION DETECTORS

| | Designation | Specification | Order No. | |
|---|--|---|--|----------|
|  | Prosecure Easy Motion Mono | Full-automatic access on pulse activation; adjustable inclination angle, inclined field of view and field size, LED status indicator Ambient temperature -20 °C to 60 °C | | |
| | | Black | 86001000 | |
| | | Silver-coloured | 86002000 | |
| | | | White | 86003000 |
| |  | Prosecure Easy Motion Stereo | Adjustable inclination angle, inclined field of view and field size, direction recognition, cross-traffic suppression, immunity, LED status indicator Ambient temperature -20 °C to 60 °C | |
| | | | Black | 86011000 |
| Silver-coloured | | | 86012000 | |
| | | | White | 86013000 |
|  | | Prosecure Opti Motion Mono | Adjustable inclination angle, inclined field of view and field size, direction recognition, immunity, LED status indicator Ambient temperature -20 °C to 60 °C | |
| | | | Black | 86101000 |
| | Silver-coloured | | 86102000 | |
| | | | White | 86103000 |
| |  | Prosecure Opti Motion Stereo | Adjustable inclination angle, inclined field of view and field size, direction recognition, cross-traffic suppression, Slow Motion function, immunity, LED status indicator Ambient temperature -20 °C to 60 °C | |
| | | | Black | 86111000 |
| Silver-coloured | | | 86112000 | |
| | | White | 86113000 | |
| Accessories | Designation | Specification | Order No. | |
|  | Rain protection cover | For Easy Motion detectors | 86031900 | |
| | | | | |
|  | Rain protection cover/ ceiling angle bracket | For Opti Motion detectors | 86131900 | |
| | | | | |
|  | Prosecure Remote Control | Remote control for programming Prosecure Opti motion detectors or products from other brands; for the convenient and exact adjustment of high-mounted sensors; self-explaining menu navigation, LCD display Ambient temperature -20 °C to 60 °C | 86991900 | |

TRIMS AND BOXES FOR SURFACE-MOUNTED PUSHBUTTONS AND SWITCHES

| Designation | Specification | Dimensions in mm (W x H x D) | Installation system | Order No. |
|---|--------------------------------------|------------------------------------|---------------------|-----------|
| System 55 Cover frame (Programm STA) | | | | |
| FR-S55 1 | Single-type trim, Standard 55, white | 80.7 x 80.7 | System 55 | 56391110 |
| FR-S55 2 | Double-type trim, Standard 55, white | 151.8 x 80.7 | System 55 | 56391210 |
| FR-S55 3 | Triple-type trim, Standard 55, white | 223.3 x 80.7 | System 55 | 56391310 |
| FR-E2W 1 | Single-type trim, E2 55, white | 80.8 x 80.8 | System 55 | 56392110 |
| FR-E2W 2 | Double-type trim, E2 55, white | 151.9 x 80.8 | System 55 | 56392210 |
| FR-E2W 3 | Triple-type trim, E2 55, white | 223.4 x 80.8 | System 55 | 56392310 |
| FR-E2S 1 | Single-type trim, E2 55, silver | 80.8 x 80.8 | System 55 | 56392101 |
| FR-E2S 2 | Double-type trim, E2 55, silver | 151.9 x 80.8 | System 55 | 56392201 |
| FR-E2S 3 | Triple-type trim, E2 55, silver | 223.4 x 80.8 | System 55 | 56392301 |
| FR-E2A 1 | Single-type trim, E2 55, anthracite | 80.8 x 80.8 | System 55 | 56392115 |
| FR-E2A 2 | Double-type trim, E2 55, anthracite | 151.9 x 80.8 | System 55 | 56392215 |
| FR-E2A 3 | Triple-type trim, E2 55, anthracite | 223.4 x 80.8 | System 55 | 56392315 |

Please see STA price list for further trims and versions.



DORMA Design Center
'WORLD OF ACCESS'
Sheikh Zayed Road South
Dubai, United Arab Emirates
Tel. +971 4 3881419

DORMA Gulf Door Controls FZE
P.O.Box 17268,
Jebel ali Free Zone South
Dubai, United Arab Emirates
Tel. +971 4 8020 400

DORMA Middle East LLC
P.O.Box 121732, Dubai.
Tel. +971 4 3477789
Abu Dhabi, UAE
Tel. +971 2 641 9860

DORMA Kuwait
P.O. BOX 29927, Safat 13160
Tel: + 965 24716574
+ 965 24716584

**DORMA ARABIA Automatic
Doors Ltd.**
Kingdom of Saudi Arabia.
Riyadh: +966 11 464 9586
Dammam: +966 13 864 8261
Jeddah: +966 12 606 8177

DORMA Qatar
P.O Box. 18386
Doha-Qatar
Tel. +974 4 4517372

DORMA Architectural Hardware
Dorma Drive, Drawer AC
Reamstown, PA 17567-0411
USA.

800 - DORMA
(for service & maintenance)

DORMA GmbH + Co. KG
DORMA Platz 1
D - 58256 Ennepetal
Germany

info.mena@dorma.com
www.dorma.com